

CLARK®

air



36" DRUM FAN

MODEL NO: CAM36C

PART NO: 3230448

OPERATION & MAINTENANCE INSTRUCTIONS

UK | CE



ORIGINAL INSTRUCTIONS

DL1122

INTRODUCTION

Thank you for purchasing this CLARKE 36" Drum Fan.

Before attempting to use this product, please read this manual thoroughly and follow the instructions carefully. In doing so you will ensure the safety of yourself and that of others around you, and you can look forward to your purchase giving you long and satisfactory service.

GUARANTEE

This product is guaranteed against faulty manufacture for a period of 12 months from the date of purchase. Please keep your receipt which will be required as proof of purchase.

This guarantee is invalid if the product is found to have been abused or tampered with in any way, or not used for the purpose for which it was intended.

Faulty goods should be returned to their place of purchase, no product can be returned to us without prior permission. This guarantee does not effect your statutory rights.

ENVIRONMENTAL RECYCLING POLICY



Through purchase of this product, the customer is taking on the obligation to deal with the WEEE in accordance with the WEEE regulations in relation to the treatment, recycling & recovery and environmentally sound disposal of the WEEE.

In effect, this means that this product must not be disposed of with general household waste. It must be disposed of according to the laws governing Waste Electrical and Electronic Equipment (WEEE) at a recognised disposal facility.

ELECTRICAL CONNECTIONS



WARNING! READ THESE ELECTRICAL SAFETY INSTRUCTIONS THOROUGHLY BEFORE CONNECTING THE PRODUCT TO THE MAINS SUPPLY.

Before switching the product on, make sure that the voltage of your electricity supply is the same as that indicated on the rating plate. This product is designed to operate on 230VAC 50Hz. Connecting it to any other power source may cause damage.

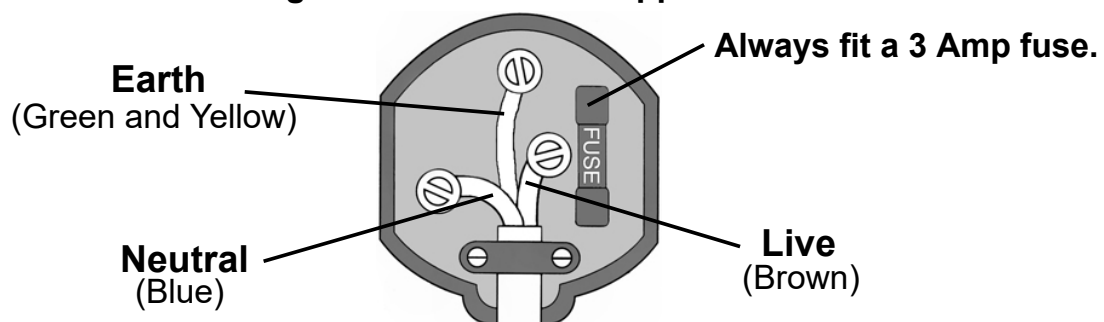
This product may be fitted with a non-rewireable plug. If it is necessary to change the fuse in the plug, the fuse cover must be refitted. If the fuse cover becomes lost or damaged, the plug must not be used until a suitable replacement is obtained.

If the plug has to be changed because it is not suitable for your socket, or due to damage, it should be cut off and a replacement fitted, following the wiring instructions shown below. The old plug must be disposed of safely, as insertion into a mains socket could cause an electrical hazard.

If the colours of the wires in the power cable of this product do not correspond with the markings on the terminals of your plug, proceed as follows.

- The **Blue** wire must be connected to the terminal which is marked **N** or coloured **Black**.
- The **Brown** wire must be connected to the terminal which is marked **L** or coloured **Red**.
- The **Yellow and Green** wire must be connected to the terminal which is marked **E** or \perp or coloured **Green**.

Plug must be BS1363/A approved.



Ensure that the outer sheath of the cable is firmly held by the clamp

We strongly recommend that this machine is connected to the mains supply via a Residual Current Device (RCD)

If in any doubt, consult a qualified electrician. **DO NOT** attempt any repairs yourself.

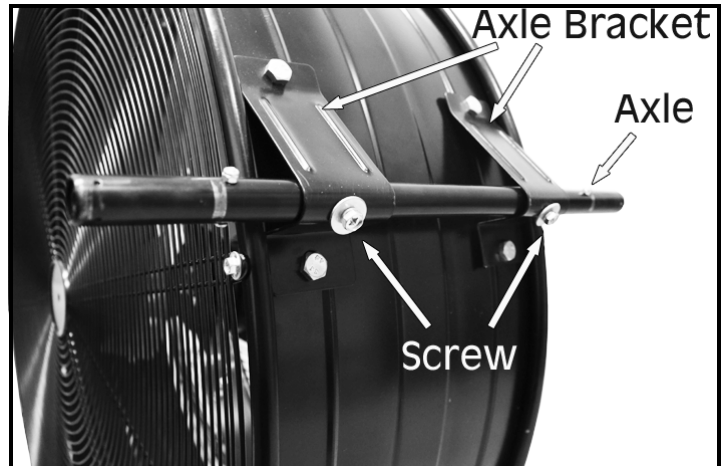
SAFETY PRECAUTIONS

1. **ALWAYS** read the manual before use.
2. **ONLY** suitable for indoor use.
3. **DO NOT** operate without the front and rear grills in place.
4. **AVOID** using in dusty environments.
5. **DO NOT** use in environments containing chemical fumes etc.
6. **DO NOT** use as an extractor fan.
7. **DO NOT** use in areas of high humidity/water vapour, i.e. bathrooms etc.
8. **DO NOT** connect the fan to duct system.
9. **DO NOT** cover the fan with clothing or any material that will restrict free airflow through the fan.
10. **NEVER** touch the blades with your hand or any loose object.
11. **ALWAYS** unplug the fan before moving it or performing maintenance.
12. **DO NOT** touch the fan when your hands are wet.
13. **ONLY** qualified electricians should disassemble, repair or rebuild the fan.
14. **ALWAYS** unplug the fan when it is not in use.
15. **NEVER** unplug the fan by holding the cable. Unplug by holding the plug.
16. **NEVER** use the fan if the cable or plug are damaged.
17. **NEVER** use the fan close to fires.
18. **DO NOT** use this fan with any solid-state speed control device to reduce the risk of fire or electric shock.

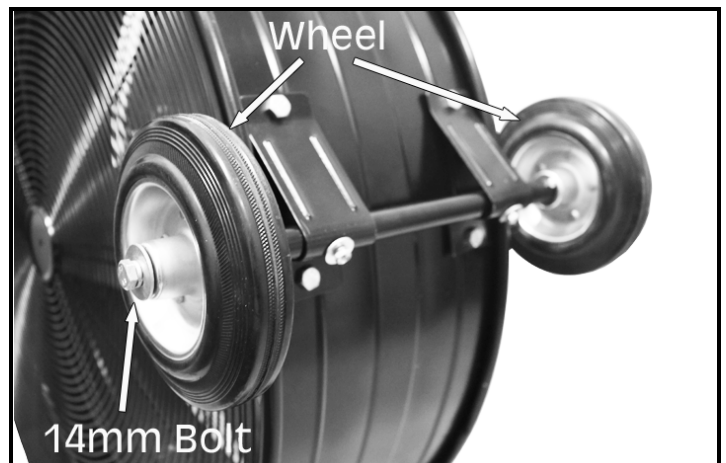
ASSEMBLY

FAN CRADLE ASSEMBLY

1. Insert the axle through the axle brackets on the outside of the fan frame.
2. Align the holes in the brackets to the screw holes in the axle and secure using the washers and hex bolts and a cross headed screwdriver.



3. Slide each wheel over the ends of the axle and secure using the washers and hex bolts using a 14mm spanner.



OPERATION

FAN OPERATION

Always operate the fan in an upright position, following all instructions and recommendations listed in this manual.

FAN LOCATION

Place the fan in the area of the room that will provide proper fan cooling.

FAN CONNECTION

Plug the fan directly into a 230v AC, 50Hz wall outlet. Be sure the plug fits tightly into the outlet. A loose connection may cause overheating and damage to the plug or fan.

TURNING FAN ON

Place the fan on a stable level surface. Plug the fan into a correctly grounded outlet.

To start the fan, turn the switch from the '0' position (OFF) to the desired fan speed.

- Low: 960 rpm
- High: 1090 rpm



TURNING FAN OFF

To turn the fan OFF, turn the switch from the current fan speed setting to the '0' position. Remove the plug from the wall outlet.

CLEANING & MAINTENANCE



Warning: NEVER OPERATE THE FAN WITH THE FRONT GUARD REMOVED. DO NOT USE THE FAN IF IT HAS MALFUNCTIONED OR BECOME DAMAGED IN ANY WAY.

CLEANING

If the fan has been operating for long periods in a very dusty environment, the blades and motor assembly may eventually require cleaning.

1. Disconnect the power cable from the power supply.
2. Unscrew the front guard and lift it away carefully.
3. Wipe the fan blades with dry cloth and remove any dust from the motor assembly with a soft paintbrush, vacuum cleaner or jet of compressed air.
 - **NEVER** use polish or any corrosive liquid that will damage the surface finish.
4. Replace the guard securely before use.
5. Periodic grille cleaning with a vacuum will prevent dust build up.

MAINTENANCE

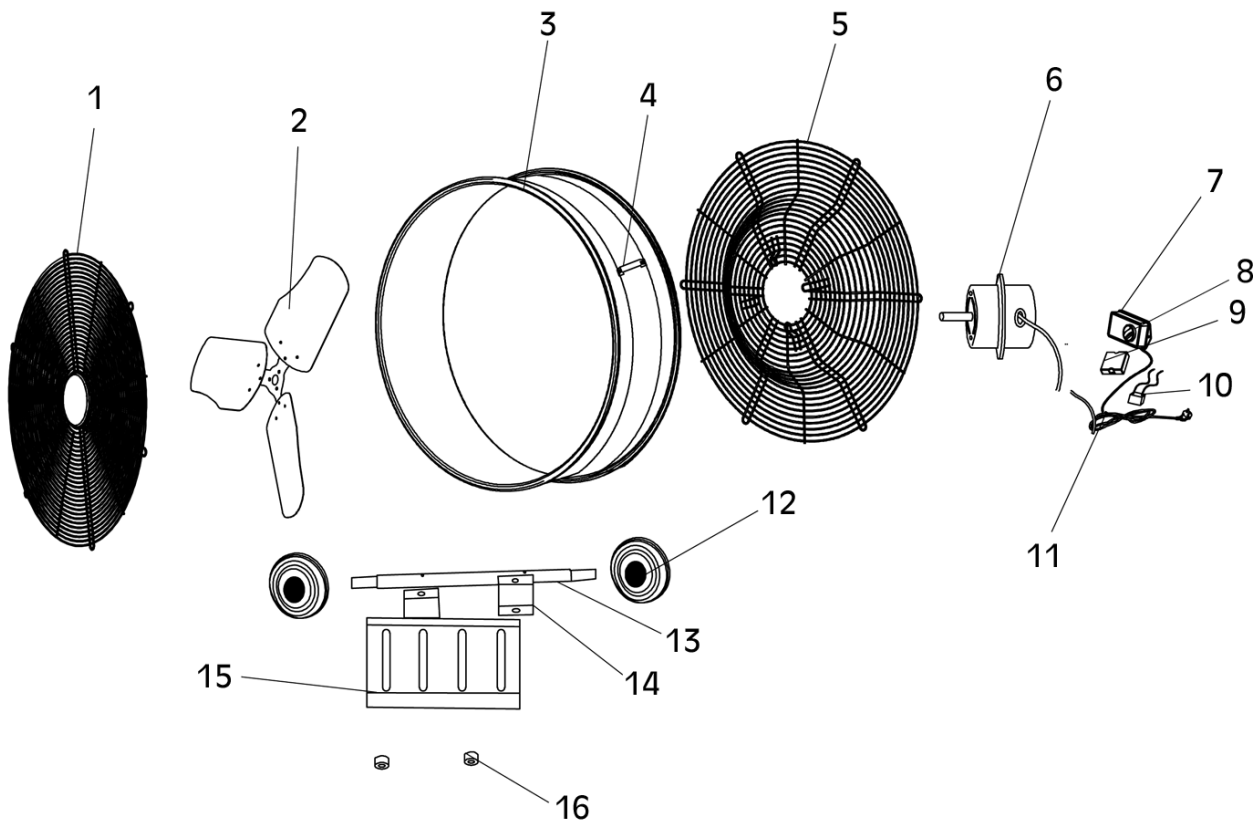
Have any repairs carried out by a suitably qualified person.

The motor bearings are permanently sealed for life and do not require any additional lubrication.

STORAGE

Keep the original carton for storage of the fan. Coil and tie the power cable to avoid damage during storage.

PARTS LIST AND DIAGRAM



No	DESCRIPTION	No	DESCRIPTION
1	Front Grille	9	Switch
2	Blade	10	Capacitor
3	Drum	11	Power Cable
4	Handle	12	Wheel
5	Rear Grille	13	Axle
6	Motor	14	Axle Brackets
7	Switch Box	15	Foot
8	Switch Knob	16	Support Pads

SPECIFICATIONS

MODEL	CAM36C
Part No:	3230448
Operating Voltage:	230 V AC (50Hz)
Rated Input Wattage:	450 W
Fan Speed - Low:	960 rpm
Fan Speed - High:	1090 rpm
Dimensions (W x D x H):	980 x 470 x 1000 mm
Fan Blade Diameter:	900 mm
Weight:	24.4 kg
IP Rating	IPX0
ERP Ratings	
Overall Efficiency:	30.4%
Measurement Category:	A
Efficiency Category:	Static
Efficiency Grade	40.08
Rated Motor Power Input @ Optimum Energy Efficiency	482 W
Flow Rate @ Optimum Energy Efficiency	5580 m ³ /h
Pressure Rate @ Optimum Energy Efficiency	40 Pa
The Specific Ratio (EU 327/2011)	1

DECLARATION OF CONFORMITY - UKCA



Hemnall Street, Epping, Essex CM16 4LG

DECLARATION OF CONFORMITY

This is an important document and should be retained.

We hereby declare that this product(s) complies with the following statutory requirement(s):

Electromagnetic Compatibility Regulations 2016

Supply of Machinery (Safety) Regulation 2008

The Eco-design for Energy Related Products and Energy Information (Amendment) Regulations 2019

The Restriction of the Use of Certain Hazardous Substances in Electrical and Electronic Equipment Regulations 2012

The following standards have been applied to the product(s):

EN 55014-1:2017+A11:2020, EN IEC 61000-3-2:2019, EN 61000-3-3:2013+A1:2019,

EN 55014-2:2015, EN 60335-1:2012+A11:2014+A13:2017+A1:2019+A14:2019+A2:2019,

EN 60335-2-80:2003+A1:2004+A2:2009, EN 62233:2008, EN ISO 12100:2010, ISO 12759-4:2019,

IEC 62321-3-1:2013, IEC 62321-4:2017, IEC 62321-5:2013, IEC 62321-6:2015, IEC 62321-7-1:2015,

IEC 62321-7-2:2017, IEC 62321-8:2017

The technical documentation required to demonstrate that the product(s) meet(s) the requirement(s) of the aforementioned legislation has been compiled and is available for inspection by the relevant enforcement authorities.

The UKCA mark was first applied in: 2022

Product Description: 24", 30" & 36" 230V Drum Fans
Model number(s): CAM24C, CAM30C & CAM36C
Serial / batch Number: N/A
Date of Issue: 18/11/2022

Signed:

J.A. Clarke
Director

DECLARATION OF CONFORMITY - CE



Clarke[®]
INTERNATIONAL

Fitzwilliam Hall, Fitzwilliam Place, Dublin 2

DECLARATION OF CONFORMITY

This is an important document and should be retained.

We hereby declare that this product(s) complies with the following directive(s):

- 2014/30/EU Electromagnetic Compatibility Directive*
- 2006/42/EC Machinery Directive*
- 2009/125/IE Eco-design Directive*
- 2011/65/EU Restriction of the Use of Certain Hazardous Substances in Electrical and Electronic Equipment Directive*

The following standards have been applied to the product(s):

- EN 55014-1:2017+A11:2020, EN IEC 61000-3-2:2019, EN 61000-3-3:2013+A1:2019,*
- EN 55014-2:2015, EN 60335-1:2012+A11:2014+A13:2017+A1:2019+A14:2019+A2:2019,*
- EN 60335-2-80:2003+A1:2004+A2:2009, EN 62233:2008, EN ISO 12100:2010, ISO 12759-4:2019,*
- IEC 62321-3-1:2013, IEC 62321-4:2017, IEC 62321-5:2013, IEC 62321-6:2015, IEC 62321-7-1:2015,*
- IEC 62321-7-2:2017, IEC 62321-8:2017*

The technical documentation required to demonstrate that the product(s) meet(s) the requirement(s) of the aforementioned directive(s) has been compiled and is available for inspection by the relevant enforcement authorities.

The CE mark was first applied in: 2022

Product Description: 24", 30" & 36" 230V Drum Fans
Model number(s): CAM24C, CAM30C & CAM36C
Serial / batch Number: N/A
Date of Issue: 18/11/2022

Signed:

J.A. Clarke
Director

A SELECTION FROM THE VAST RANGE OF

Clarke®

QUALITY PRODUCTS



AIR COMPRESSORS
From DIY to industrial, Plus air tools, spray guns and accessories.

GENERATORS
Prime duty or emergency standby for business, home and leisure.

POWER WASHERS
Hot and cold, electric and engine driven - we have what you need

WELDERS
Mig, Arc, Tig and Spot. From DIY to auto/industrial.

METALWORKING
Drills, grinders and saws for DIY and professional use.

WOODWORKING
Saws, sanders, lathes, mortisers and dust extraction.

HYDRAULICS
Cranes, body repair kits, transmission jacks for all types of workshop use.

WATER PUMPS
Submersible, electric and engine driven for DIY, agriculture and industry.

POWERTOOLS
Angle grinders, cordless drill sets, saws and sanders.

STARTERS/CHARGERS
All sizes for car and commercial use.



PARTS & SERVICE: 0208 988 7400

Parts Enquiries
Parts@clarkeinternational.com

Servicing & Technical Enquiries
Service@clarkeinternational.com

SALES: UK 01992 565333 or Export 00 44 (0)1992 565335

Clarke® INTERNATIONAL Hemnall Street, Epping, Essex CM16 4LG
www.clarkeinternational.com